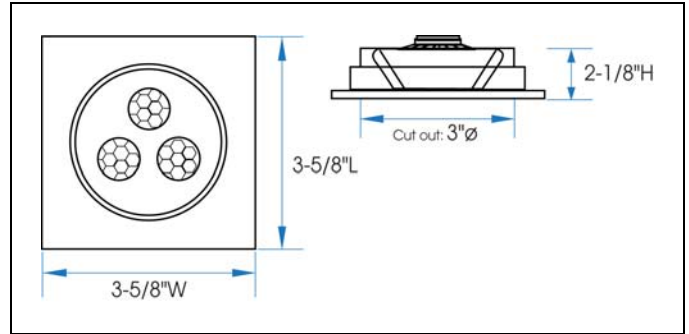



LED SLIM DISKS
PK620LED • ADJUSTABLE 3-LIGHT SQUARE



SPECIFICATIONS

Model	PK620LED-38-30	PK620LED-38-40	PK620LED-38-65
LED Quantity	3 x 1W	3 x 1W	3 x 1W
Input Voltage	12V DC	12V DC	12V DC
Wattage	4.2W	4.2W	4.2W
Lumens	122 lm	138 lm	190 lm
Efficacy	29 lm/W	29 lm/W	45 lm/W
Color Temperature	3000K	4000K	6500K
Beam Angle*	38°	38°	38°
Current†	350mA	350mA	350mA
Lamp Life	50,000 hours	50,000 hours	50,000 hours
Dimensions	3-5/8"L x 3-5/8"W x 1-1/4"H x 1/2" Ext	3-5/8"L x 3-5/8"W x 1-1/4"H x 1/2" Ext	3-5/8"L x 3-5/8"W x 1-1/4"H x 1/2" Ext
Cut Out	3-3/8"Ø	3-3/8"Ø	3-3/8"Ø
Housing	Aluminum	Aluminum	Aluminum
Finish‡	Brushed Aluminum (Standard)	Brushed Aluminum (Standard)	Brushed Aluminum (Standard)
Operating Temperature	5°F - 122°F	5°F - 122°F	5°F - 122°F
Mounting§	Recess	Recess	Recess
Environment	Dry, Indoor	Dry, Indoor	Dry, Indoor
Warranty	5 Years – see published warranty terms for detailed information.		
Certifications	 Intertek CE, RoHS		

* 38° is the standard beam angle.

† This fixture requires a constant current power supply. However, the in-line driver allows the use of constant voltage power supply.

DESCRIPTION

- Adjustable 3-light Square Slim Disk.
- Includes In-line 12V 3W 350mA electronic LED driver.
- Includes 72" in-line extension cable.



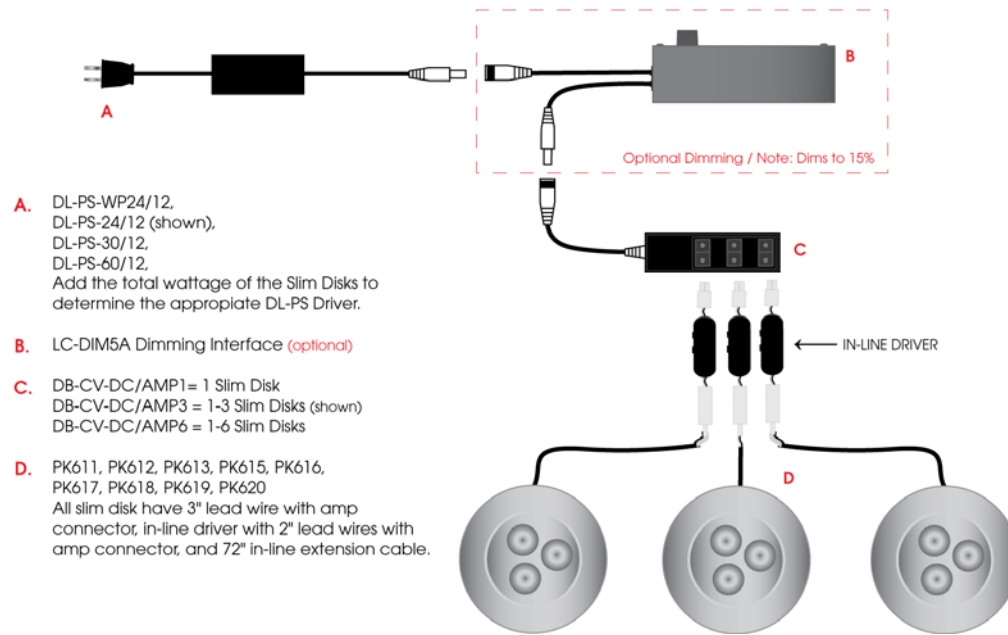
LED SLIM DISKS PK620LED • ADJUSTABLE 3-LIGHT SQUARE

WIRING DIAGRAMS

EASY INSTALLATION

Plug and Play Dim/Non-Dim

Parallel Port P+P



HARD WIRE - New Construction Dim/Non-Dim

Parallel Port HW

