

# 60L24DC

## Class 2 Dimmable LED DC Magnetic Transformer



### Transformer

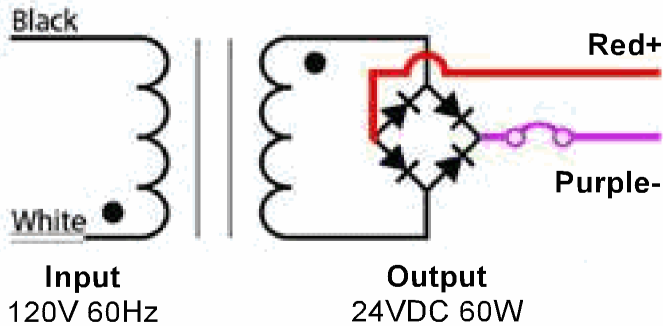
Input leads are 20 AWG. Output leads are 14 AWG. Lead insulation is 105 °C. The transformer uses a class B 130 °C insulation system.

### Enclosure

Enclosure temperature will not exceed 70 °C @ 40 °C ambient. Wiring compartment has 2 knockouts sized for 3/4 inch screw cable connectors. The removable cover for the wiring compartment is secured in place by a screw. The enclosure is black powder coated.

### General

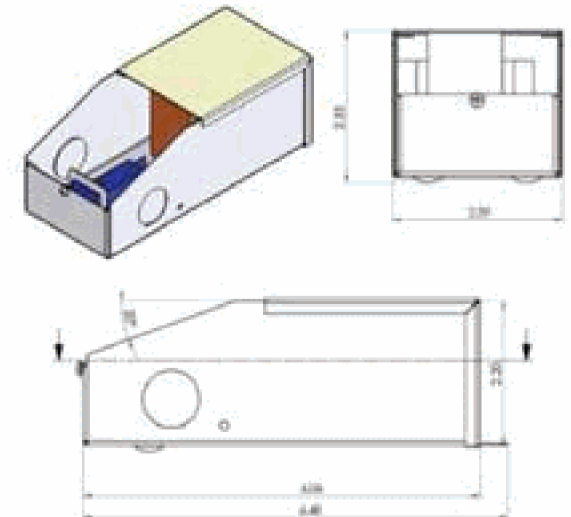
- Manual reset thermal circuit breaker on the secondary side.
- Controlled with a low-voltage dimmer.
- ETL listed
- UL standard 5085-1



Maximum Load	60 W
Input Voltage	120 V 60 Hz
Output Voltage Full Load	23 VDC
Input Current Full Load	540 mA
Open Circuit Volts	25 VDC
Output Current Full Load	2.4 A
Efficiency	89.80%
Coil Former	Double Section Bobbin
Thermal Class	B 130 °C
Leads Primary	PVC 600 V #20
Leads Secondary	PVC 300 V #14

### Dimensions in inches:

Length	6.06 Inches
Width	2.59 Inches
Depth	2.20 Inches



## DIMMING COMPATIBILITY

Product	Dimming Performance *
LDC- 12v & 24V	100% - 10%

\* For reference purposes only. Performance may vary depending on the dimmer, LED product, and installation.

## COMPATIBLE DIMMERS – Magnetic low voltage analog dimmers only

<p><b>Lutron Ariadni Dimmer</b></p> <p>AYLV-603P AYLV-603P-CSA AYLV-603P-S AYLV-600P AYLV-600P-CSA AYLV-600P-S</p> <p><b>Lutron Vareo Dimmer</b></p> <p>V-1000 V-600 V-1000-S V-600-S VETN-1000 VETS-1000 VETS-1000-CSA VETN-1000-S VETS-1000-S VETS-R VETS-R-S VETS-1000-SL VETS-1000-SL-S VETS-A-SL VETS-A-SL-S</p> <p><b>Lutron Ceana Dimmer</b></p> <p>CNLV-603P CNLV-600P</p>	<p><b>Lutron Glyder Dimmer</b></p> <p>GLV-600 GLV-600-CSA</p> <p><b>Lutron Lyneo Dimmer</b></p> <p>LXLV-103PL LXLV-603PL LXLV-10PL LXLV-600PL</p> <p><b>Lutron Nova T Dimmer</b></p> <p>NTLV-1500 NTLV-1000 NTLV-1000-277 NTLV-600 NTLV-600-277</p> <p><b>Lutron Skylark Dimmer</b></p> <p>SLV-603P SLV-603P-CSA SLV-603PH-CSA SLV-600P SLV-600P-CSA SLV-600PH-CSA</p>	<p><b>Lutron Nova Dimmer</b></p> <p>NTLV-1000 NTLV-1500 NTLV-600 NTLV-1500-S NTLV-600-S NTLV-1000-S NTLV-1503P NTLV-2003P NTLV-1003P NTLV-603P NTLV-1503P-CSA NTLV-1003P-CSA NTLV-603P-CSA NTLV-1503P-S NTLV-2003P-S NTLV-1003P-S NTLV-603P-S NT-3PS NT-3PS-CSA NT-3PS-S NT-4PS NT-4PS-CSA NT-4PS-S NT-1PS NT-1PS-CSA NT-1PS-S</p>	<p><b>Lutron Diva Dimmer</b></p> <p>DVLV-103P DVLV-603P DVSCLV-103P DVSCLV-603P DVLV-103P-CSA DVLV-603P-CSA DVLV-103P-S DVLV-603P-S DVLV-103PH-S DVLV-603PH-S DVSCLV-103P-L DVSCLV-603P-L DVLV-600P DVLV-10P DVSCLV-10P DVSCLV-600P DVLV-10P-CSA DVLV-10P-S DVLV-10PH-S DVSCLV-10P-L SC-3PS SC-4PS SC-1PS SC-3PSNL SC-4PSNL SC-1PSNL</p>	<p><b>Leviton Illumatech Dimmer</b></p> <p>IPM06-1LZ IPM06-1LX IPM10-1LZ</p> <p><b>Leviton Mural Dimmer</b></p> <p>MDM06-1LI MDM06-1LW MDM06-1LA MDM10-1LI MDM10-1LW MDM10-1LA</p> <p><b>Leviton SureSlide Dimmer</b></p> <p>6613-PLT 6613-PLI 6613-PLW 6613-PLA</p> <p><b>Leviton ToggleTouch Dimmer</b></p> <p>TGM10-1LI TGM10-1LI TGM10-1LA TGM10-1LT</p> <p><b>Leviton Vizia Dimmer</b></p> <p>VPM06-1LZ</p>
--	--	--	--	--